

CBB-FA

AIR FILTERS



DESCRIPTION

Air breather, replaceable element

MATERIALS

Housing: zinc plated steel

REPLACEABLE ELEMENT

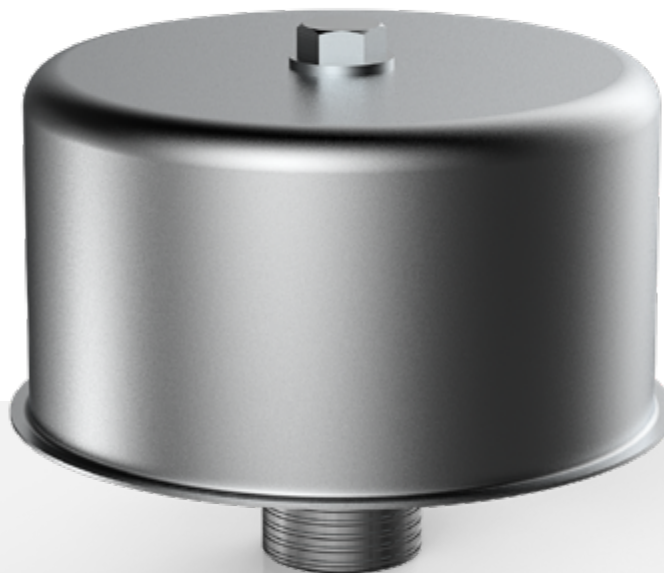
Air breathers with threaded connection by zinc plated steel.
Replaceable filter element, by impregnated cellulose 10µm.
(Filtration degree in air)

COMPATIBILY (ISO 2943)

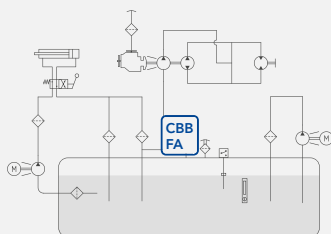
Full with fluids HH-HL-HM-HV-HTG (according to ISO 6743/4).
For fluids different than the above mentioned, please contact
our Customer Service.

WORKING TEMPERATURE

From -25°C to +110°C



HYDRAULIC DIAGRAM



Is this datasheet the latest release? Please check on our website.

CBB-FA

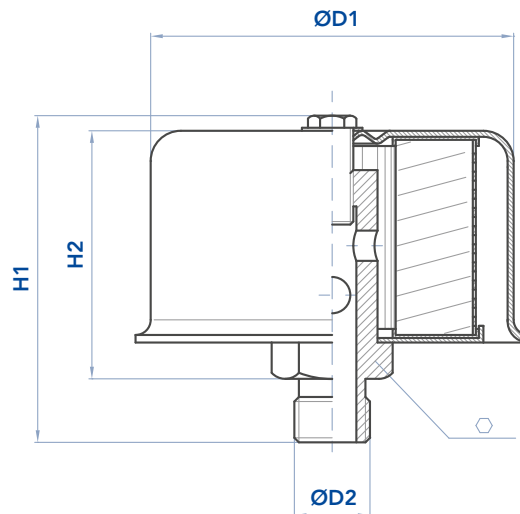
AIR FILTERS



ORDERING AND OPTION CHART

C	B	B	COMPLETE FILTER FAMILY				FILTER ELEMENT FAMILY	E	B	B
			SIZE & LENGHT	11	21	31	SIZE & LENGHT			
			PORT TYPE							
			B = BSP thread	B	B	B				
			M = metric thread	M	M	M				
			PORT SIZE							
			02 = 1/4"	02	-	-				
			03 = 3/8"	03	-	-				
			04 = 1/2"	-	04	-				
			06 = 3/4"	-	06	-				
			08 = 1"	-	-	08				
			12 = M 12x1,5 (metric only)	12	-	-				
			16 = M 16x1,5 (metric only)	-	16	-				
C	D		FILTER MEDIA				FILTER MEDIA	C	D	
			CD = impregnated cellulose	CD	CD	CD				

INSTALLATION DRAWING



DIMENSIONS

	filtr. μm	flow rate (l/min)	D1	D2		H1	H2	KG
CBB11M12CD FA 4733.1	10	200	60	M12 X 1,5	17	56	43	0,16
CBB11B03CD FA 4733.1A	10	200	60	3/8" BSP	22	56	43	0,16
CBB11B02CD FA 4733.3	10	200	60	1/4" BSP	22	56	43	0,16
CBB21M16CD FA 4733.2	10	500	82	M16 X 1,5	22	71	53	0,30
CBB21B04CD FA 4733.4	10	500	82	1/2" BSP	24	71	53	0,30
CBB21B06CD FA 4733.4A	10	500	82	3/4" BSP	32	71	53	0,30
CBB31B08CD FA 4733.5	10	500	115	1" BSP	40	100	76	0,30