

# PRESSURE FILTERS

## CLOGGING INDICATORS



INDICATOR SERIE      DESCRIPTION      FOR PRESSURE FILTERS SERIES

NPT	BSPT	Pressure gauge	
31	039.0199.1	Scale 0÷12 bar (0÷1,2 MPa)	<p>FPE - FPH AMF - TLM</p>
36	-	Pressure gauge stainless steel, glycerine filled Scale 0÷12 bar (0÷1,2 MPa)	<p>FPE - FPH AMF - TLM</p>
P1	039.0202.1	Pressure switch Setting 1,5 bar (150 kPa)	<p>FPE - FPH AMF - TLM</p> <p>ATEX 3 GD EEx e T6</p>

SPDT, Max voltage 250V - 50 Hz - Max current 6 A resistive, 1 A inductive - Protection IP65 connector DIN 43650

# PRESSURE FILTERS

## CLOGGING INDICATORS



### INDICATOR SERIE DESCRIPTION FOR PRESSURE FILTERS SERIES

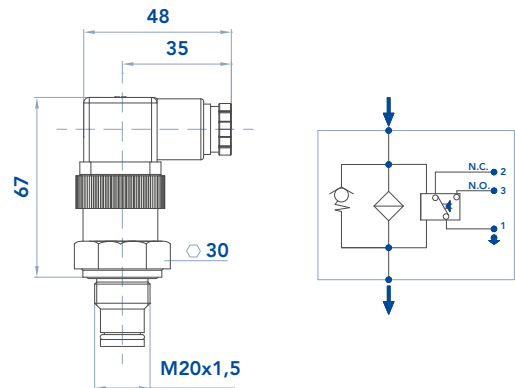
NBR	FKM	Differential VISUAL ELECTRICAL indicator	
N0	S0	Setting 1,3 bar (130 kPa)	for FPE A+, B+ for AMD 15+, 30+
		SPDT differential switch. C.C. 14 - 30 V: > max resistive or inductive load 4 - 3 A respectively C.A. 125-250 V: > max resistive or inductive load 1 A - Protection IP65 - Connector DIN 43650	

NBR	FKM	Differential VISUAL indicator	
U0	W0	Setting 1,3 bar (130 kPa)	for FPE A+, B+ for AMD 15+, 30+

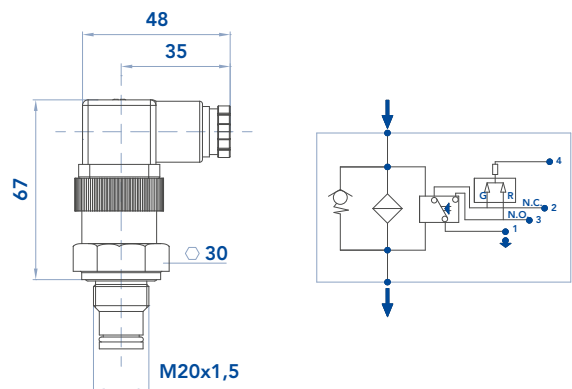
NBR	FKM	Differential VISUAL indicators	
5B	AB	Setting 1,3 bar (130 kPa)	FPH TLM
5D	AD	Setting 2,5 bar (250 kPa)	FPA - FPB - FPD - FPL - FPM MDM - MHT - MDF - SPP - SPM
5E	AE	Setting 5 bar (500 kPa)	FPA - FPB - FPC - FPD - FPL - FPM MDM - MHT - MGT - MDF - SPP - SPM
5F	AF	Setting 8 bar (800 kPa)	FPA - FPB - FPC - FPD - FPL - FPM MDM - MHT - MGT - MDF - SPP - SPM

**INDICATOR SERIE DESCRIPTION FOR PRESSURE FILTERS SERIES**

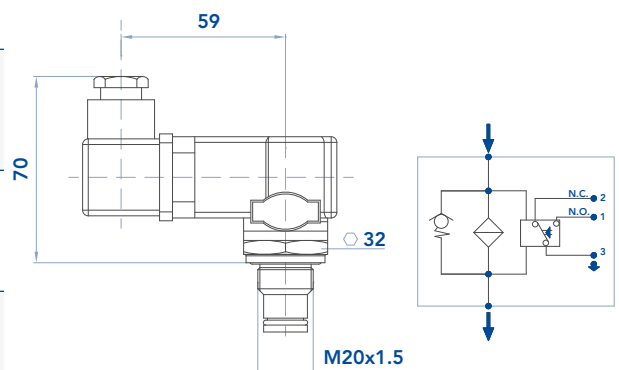
NBR	FKM	Differential ELECTRICAL indicators	
6B	CB	Setting 1,3 bar (130 kPa)	FPH TLM
6D	CD	Setting 2,5 bar (250 kPa)	FPA - FPB - FPD - FPL - FPM MDM - MHT - MDF - SPP - SPM
6E	CE	Setting 5 bar (500 kPa)	FPA - FPB - FPC - FPD - FPL - FPM MDM - MHT - MGT - MDF - SPP - SPM
6F	CF	Setting 8 bar (800 kPa)	FPA - FPB - FPC - FPD - FPL - FPM MDM - MHT - MGT - MDF - SPP - SPM
SPDT differential switch. C.C. 14 - 30 V: > max resistive or inductive load 4 - 3 A respectively C.A. 125-250 V: > max resistive or inductive load 1 A - Protection IP65 - Connector DIN 43650			



NBR	FKM	Differential ELECTRICAL indicators with LED (24 v) for visual indication	
7B	EB	Setting 1,3 bar (130 kPa)	FPH TLM
7D	ED	Setting 2,5 bar (250 kPa)	FPA - FPB - FPD - FPL - FPM MDM - MHT - MDF - SPP - SPM
7E	EE	Setting 5 bar (500 kPa)	FPA - FPB - FPC - FPD - FPL - FPM MDM - MHT - MGT - MDF - SPP - SPM
7F	EF	Setting 8 bar (800 kPa)	FPA - FPB - FPC - FPD - FPL - FPM MDM - MHT - MGT - MDF - SPP - SPM
SPDT differential switch. C.C. 14 - 30 V: > max resistive or inductive load 4 - 3 A respectively C.A. 125-250 V: > max resistive or inductive load 1 A - Protection IP65 - Connector DIN 43650			



NBR	FKM	Differential ELECTRICAL indicators with THERMOSTAT 30° C	
T0	DB	Setting 1,3 bar (130 kPa)	FPH TLM
T2	DE	Setting 5 bar (500kPa)	FPA - FPB - FPC - FPD - FPL - FPM MDM - MHT - MDF - SPP - SPM
T3	DF	Setting 8 bar (800 kPa)	FPA - FPB - FPC - FPD - FPL - FPM MDM - MHT - MGT - MDF - SPP - SPM
T6	DD	Setting 2,5 bar (250 kPa)	FPA - FPB - FPD - FPL - FPM MDM - MHT - MDF - SPP - SPM
SPDT differential switch. C.C. 14 - 30 V: > max resistive or inductive load 4 - 3 A respectively C.A. 125-250 V: > max resistive or inductive load 1 A - Protection IP65 - Connector DIN 43650			



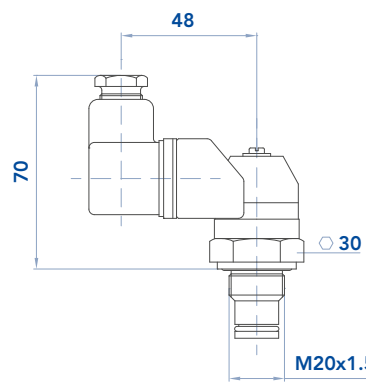
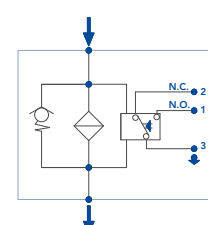
# PRESSURE FILTERS

## CLOGGING INDICATORS



### INDICATOR SERIE DESCRIPTION FOR PRESSURE FILTERS SERIES

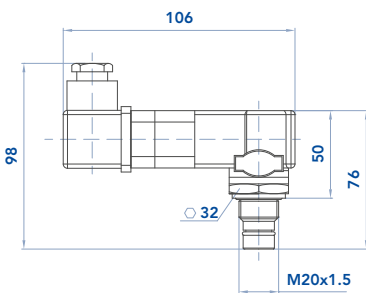
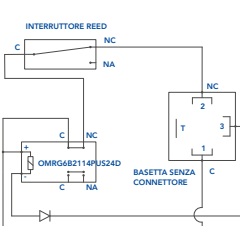
NBR	FKM	Differential VISUAL ELECTRICAL indicators	
70	E0	Setting 1,3 bar (130 kPa)	FPH TLM
76	E6	Setting 2,5 bar (250kPa)	FPA - FPB - FPD - FPL - FPM MDM - MHT - MDF - SPP - SPM
72	E2	Setting 5 bar (500 kPa)	FPA - FPB - FPC - FPD - FPL - FPM MDM - MHT - MGT - MDF - SPP - SPM
73	E3	Setting 8 bar (800 kPa)	FPA - FPB - FPC - FPD - FPL - FPM MDM - MHT - MGT - MDF - SPP - SPM

SPDT differential switch. C.C. 14 - 30 V: > max resistive or inductive load 4 - 3 A respectively  
C.A. 125-250 V: > max resistive or inductive load 1 A - Protection IP65 - Connector DIN 43650

### NBR FKM Differential ELECTRICAL indicators VANDAL PROOF

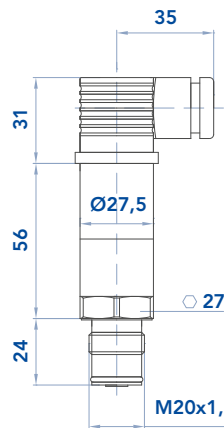
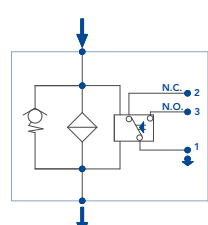
M2	-	Setting 5 bar (500 kPa)	FPA - FPB - FPC - FPD - FPL - FPM MDM - MHT - MGT - MDF - SPP - SPM
M3	-	Setting 8 bar (800kPa)	FPA - FPB - FPC - FPD - FPL - FPM MDM - MHT - MGT - MDF - SPP - SPM
M6	-	Setting 2,5 bar (250 kPa)	FPA - FPB - FPD - FPL - FPM MDM - MHT - MDF - SPP - SPM

SPDT differential switch. C.C. 14 - 30 V: > max resistive or inductive load 4 - 3 A respectively  
C.A. 125-250 V: > max resistive or inductive load 1 A - Protection IP65 - Connector DIN 43650

### NBR FKM Differential ELECTRICAL indicators ATEX

008.0239.2	-	Setting 1,3 bar (130 kPa)	FPA - FPB - FPD - FPL - FPM MDM - MHT - MDF - SPP - SPM
008.0240.2	-	Setting 2,5 bar (250kPa)	FPA - FPB - FPD - FPL - FPM MDM - MHT - MDF - SPP - SPM
008.0235.2	-	Setting 5 bar (500 kPa)	FPA - FPB - FPC - FPD - FPL - FPM MDM - MHT - MGT - MDF - SPP - SPM
008.0212.2	-	Setting 8 bar (800 kPa)	FPA - FPB - FPC - FPD - FPL - FPM MDM - MHT - MGT - MDF - SPP - SPM

ATEX 3 GD EE e T6

SPDT differential switch. C.C. 14 - 30 V: > max resistive or inductive load 4 - 3 A respectively  
C.A. 125-250 V: > max resistive or inductive load 1 A - Protection IP65 - Connector DIN 43650

**INDICATOR SERIE DESCRIPTION FOR PRESSURE FILTERS SERIES**

NBR	FKM	ELECTRONICAL Differential PRESSURE CLOGGING INDICATOR	
008.0266.2	N/A	Setting 5 bar (100%) PNP-NO	<p>FPH FPA FPB FPD FPL FPM</p>
		<p>PIN1:24V +/-10%. - PIN2: Analogue output 4-20mA - For input &lt; 25%FS analogue signal output is constant at 4mA - Accuracy at 25°C, for input &gt;25%FS =+/-5%FS max; - PIN3: Digital output 1 calibrated at 1,5bar - PNP - Max Load 0,2A - NO - PIN4: Digital output 2 calibrated at 2,0bar - PNP - Max Load 0,2A - NO - PIN5: 0V - GND Protection IP67 - Connector: M12x5PIN</p>	

NBR	FKM	ELECTRONICAL Differential PRESSURE CLOGGING INDICATOR	
008.0265.2	N/A	Setting 2 bar (100%) PNP-NO	<p>FPH FPA FPB FPD FPL FPM</p>
		<p>PIN1:24V +/-10%. - PIN2: Analogue output 4-20mA - For input &lt; 25%FS analogue signal output is constant at 4mA - Accuracy at 25°C, for input &gt;25%FS =+/-5%FS max; - PIN3: Digital output 1 calibrated at 3,75bar - PNP - Max Load 0,2A - NO - PIN4: Digital output 2 calibrated at 5,0bar - PNP - Max Load 0,2A - NO - PIN5: 0V - GND Protection IP67 - Connector: M12x5PIN</p>	